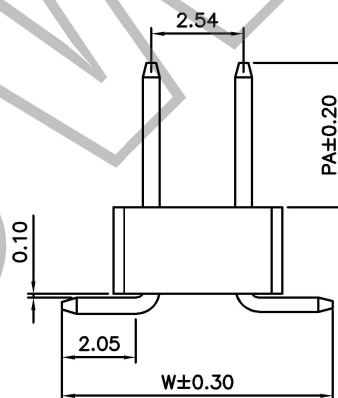


Recommended PCB Layout
Layout Tolerance ±0.05mm



1、SPECIFICATOINS:

Current Rating : 1.0 A
Voltage Rating : 125V AC
Contact Resistance : 20mΩ Max
Insulation Resistance : 500MΩ Min
Withstand Voltage : 500V AC/minute
Operation Temperature : -40° C ~ +105° C

2、MATERIALS:

Contact Material : Copper Alloy
Contact Plating : Gold Plated over Ni
Insulator Material : PA6T BK (UL94V-0)
Max Processing Temp : 260° C for 30~60 Seconds

Ordering Informations

1612 XX X N XX M R XXX
① ② ③ ④ ⑤ ⑥ ⑦ ⑧

- ① 1612 Pin Header 1.27X2.54 Dual Row Series (H2.5mm)
- ② XX NO. of Contacts Per row 02=2PIN 02~50P
- ③ X Insulator Material A=PBT C=PA6T D=PA9T F=LCP
- ④ N Posts W=With Posts N=Without Posts
- ⑤ XX Contact Plated GF=Gold Flash G0=0.8U" Gold SN=Tin Plated
- ⑥ M Mounting Type D=DIP R=Right Angle M=SMT Z=Recurrent
- ⑦ R Packing 0=PE Bag T=Tube A=Tray R=TAPE&REEL
- ⑧ XXX Serial NO. 001 001~999

STANDARD	
PA	4.00
W	5.50
D	0.10

TOLERANCES UNLESS OTHERWISE SPECIFIED

.X ~~~~ ±0.30
.XX ~~~~ ±0.20
.XXX ~~~~ ±0.10
ANGLE ~~~~ ±5°

苏州金维益电子科技有限公司
SUZHOU JINWEIYI ELECTRONICS & TECH CO.,LTD

品名规格 PART NO.	1.27X2.54排针_双排_2KnP_SMT_立贴					
物料编码 MATERIAL NO.	1612XXXNXXMRXXX	制图 DRAWING	Pop Zhang	2023.10.11	单位 UNITS	MM
图号 DWG NO.	20231011003	审核 CHECKED			比例 SCALE	N:1
视图 PROJECTION	第一角	批准 APPROVED	Robert Luo	2023.10.11	图幅 SIZE	A4

A1	210303001	优化版面	21.03.03	Pop Zhang
A0				
版本 REV NO.	变更编号 ECN NO.	描述 DESCRIPTION	变更日期 DATE	变更人 CHANGER

客户料号	
CUSTOMER COPY	页码 SHEET 10F1