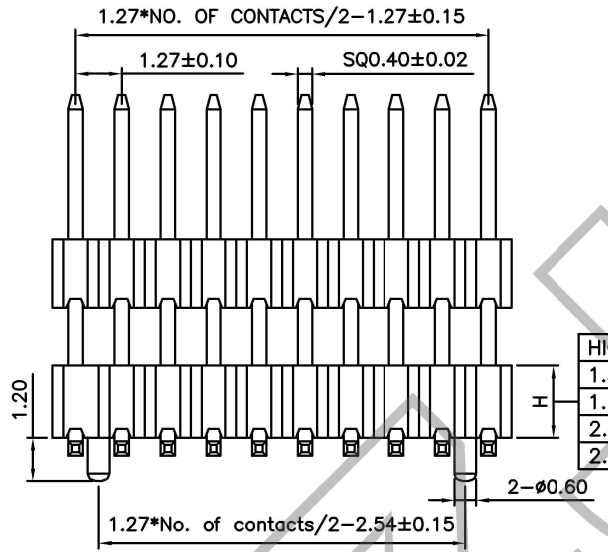


1、SPECIFICATOINS:

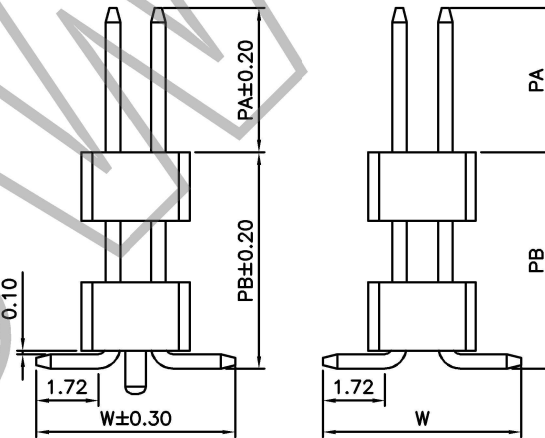
Current Rating : 1.0 A
 Voltage Rating : 125V AC
 Contact Resistance : 20mΩ Max
 Insulation Resistance : 500MΩ Min
 Withstand Voltage : 500V AC/minute
 Operation Temperature : -40° C ~ +105° C

2、MATERIALS:

Contact Material : Copper Alloy
 Contact Plating : Gold Plated over Ni
 Insulator Material : PA6T BK (UL94V-0)
 Max Processing Temp : 260° C for 5~10 Seconds



HIGH	PART NO.
1.50	1222-M
1.60	1322-M
2.00	1422-M
2.50	1522-M

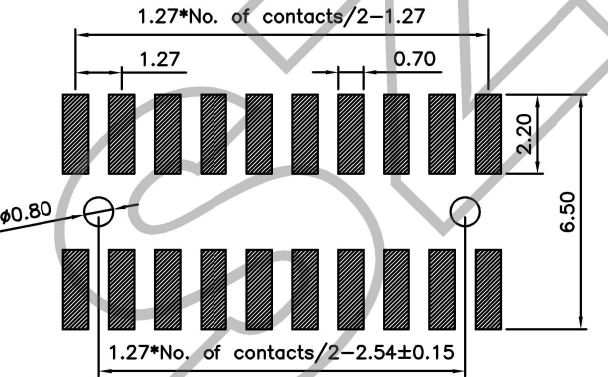


With Post Without Post

Ordering Informations

1422 XX X N XX M R XXX
 ① ② ③ ④ ⑤ ⑥ ⑦ ⑧

- ① 1412 Pin Header 1.27 Dual Row Series (H2.0mm)
- ② XX NO. of Contacts Per row 02=2PIN 02~50P
- ③ X Insulator Material A=PBT C=PA6T D=PA9T F=LCP
- ④ N Posts W=With Posts N=Without Posts
- ⑤ XX Contact Plated GF=Gold Flash G0=0.8U" Gold SN=Tin Plated
- ⑥ M Mounting Type D=DIP R=Right Angle M=SMT Z=Recurrent
- ⑦ R Packing 0=PE Bag T=Tube A=Tray R=TAPE&REEL
- ⑧ XXX Serial NO. 001 001~999



Recommended PCB Layout
 Layout Tolerance ±0.05mm

STANDARD	
PA	4.00
PB	6.00
D	2.20

TOLERANCES UNLESS OTHERWISE SPECIFIED

.X ~~~~ ±0.30
 .XX ~~~~ ±0.20
 .XXX ~~~~ ±0.10
 ANGLE ~~~~ ±5°

苏州金维益电子科技有限公司
SUZHOU JINWEIYI ELECTRONICS & TECH CO.,LTD

品名规格 PART NO.	1.27排针_双排双塑_2inP_SMT_立贴				
物料编码 MATERIAL NO.	1422XXNXMRXXX	制图 DRAWING	Pop Zhang	2023.10.11	单位 UNITS MM
图号 DWG NO.	20231011003	审核 CHECKED			比例 SCALE N:1
视图 PROJECTION	第一角	批准 APPROVED	Robert Luo	2023.10.11	图幅 SIZE A4

A1	210303001	优化版面	21.03.03	Pop Zhang					
A0					客户料号				
版本 REV NO.	变更编号 ECN NO.	描述 DESCRIPTION	变更日期 DATE	变更人 CHANGER	CUSTOMER COPY	页码 SHEET	10F1	视图 PROJECTION	