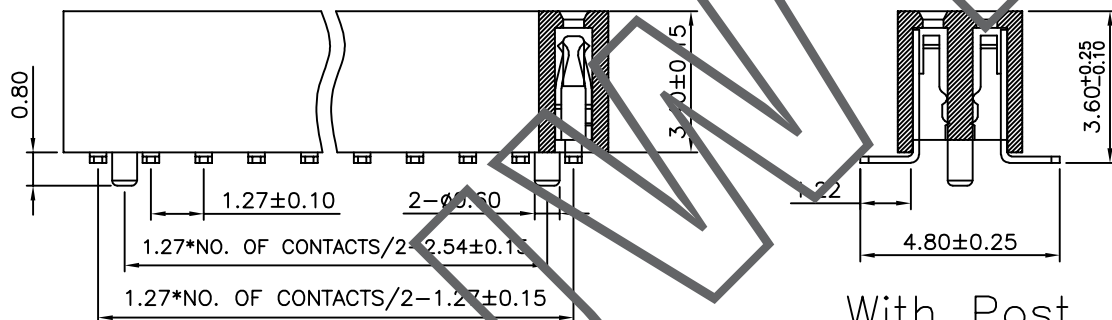
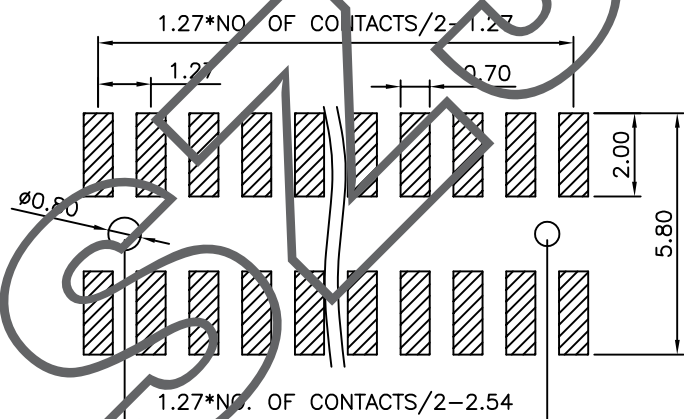


Without Post



With Post



Recommended PCB Layout  
Layout Tolerance ±0.05mm

1、SPECIFICATOINS:

Current Rating : 1.0 A  
 Current Voltage : 125V AC/DC  
 Contact Resistance : 20mΩ Max  
 Insulation Resistance : 500MΩ Min  
 Withstand Voltage : 500V AC/minute  
 Operation Temperature : -40° C ~ +105° C

2、MATERIALS:

Contact Material : Copper Alloy  
 Contact Plating : G/F or Tin over Ni  
 Insulator Material : PA6T BK (UL94V-0)  
 Max Processing Temp : 260±5° C for 30~60 Seconds

Ordering Informations

60U32 XX X X XX M R XX  
 ① ② ③ ④ ⑤ ⑥ ⑦ ⑧

- ① 60U32 Female Header 1.27 Dual Row Series (H3.4mm)
- ② XX NO. of Contacts Per Row 02=2PIN 02~50P
- ③ X Insulator Material A=PBT C=PA6T D=PA9T F=LCP
- ④ X Post N=WITHOUT POSTS W=WITH POSTS
- ⑤ XX Contact Plated GF=Gold Flash G1=1U" Gold SN=Tin Plated .....
- ⑥ M Mounting Type D=DIP R=Right Angle M=SMT
- ⑦ R Packing T=Tube A=Tray R=TAPE&REEL
- ⑧ XX Serial NO. 01 01~99

TOLERANCES UNLESS OTHERWISE SPECIFIED

.X ~~~~ ±0.30  
 .XX ~~~~ ±0.20  
 .XXX ~~~~ ±0.10  
 ANGLE ~~~~ ±5°

**苏州金维益电子科技有限公司**  
**SUZHOU JINWEIYI ELECTRONICS & TECH CO.,LTD**

品名规格 PART NO.	1.27X3.4_双排母座_SMT_立贴					
物料编码 MATERIAL NO.	60U32XXXXXMRXX	制图 DRAWING	Pop Zhang	2025.10.21	单位 UNITS	MM
图号 DWG NO.	20251021001	审核 CHECKED			比例 SCALE	N:1
视图 PROJECTION	① ②	批准 APPROVED	Robert Luo	2025.10.21	图幅 SIZE	A4

A1	210303001	刷新版面	21.03.03	Pop Zhang
AO				
版本 REV NO.	变更编号 ECN NO.	描述 DESCRIPTION	变更日期 DATE	变更人 CHANGER

CUSTOMER COPY 页码 SHEET 10F 1