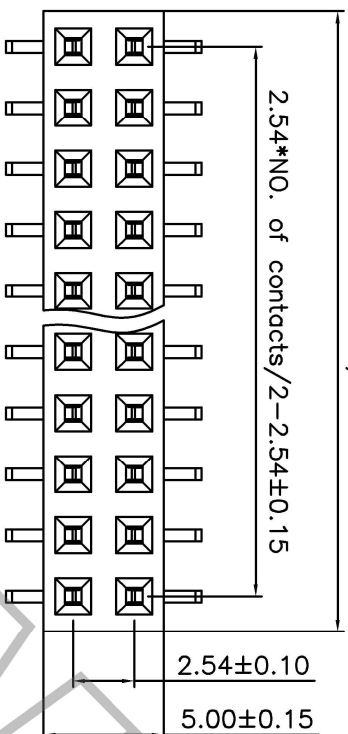
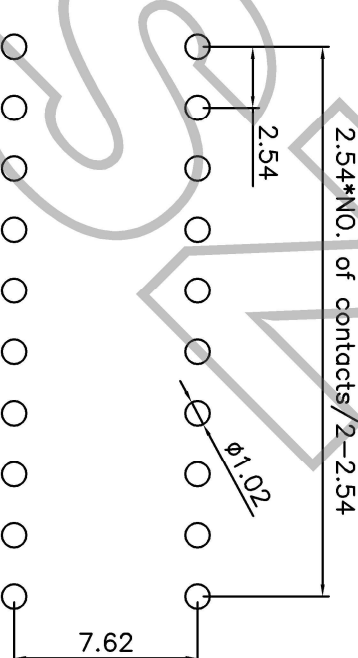
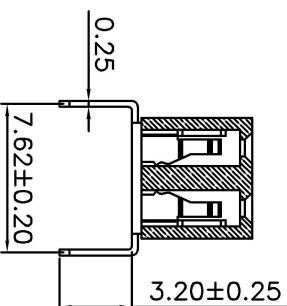
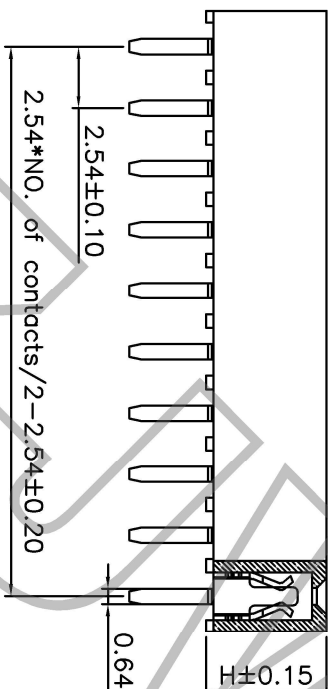


2.54\*NO. of contacts/2+0.40±0.35

2.54\*NO. of contacts/2-2.54±0.15



HIGH	PART NO.
±0.15	58U12-U
5.00	58U62-U
3.50	58U72-U



### 1、SPECIFICATIONS:

Current Rating : 3.0 A  
 Current Voltage : 250V AC/DC  
 Contact Resistance : 20mΩ Max  
 Insulation Resistance : 1000MΩ Min  
 Withstand Voltage : 1000V AC/minute  
 Operation Temperature : -40° C ~ +105° C

### 2、MATERIALS:

Contact Material : Copper Alloy  
 Contact Plating : G/F or Tin over Ni  
 Insulator Material : PA6T BK (UL94V-0)  
 Max Processing Temp : 260±5° C for 5~10 Seconds

## Ordering Informations

58U62 XX X N XX U X XX

① ② ③ ④ ⑤ ⑥ ⑦ ⑧

- ① 58U62 Female Header 2.54 H5.0mm Dual Row Series
- ② XX NO. of Contacts Per Row 02=2PIN 02~10P
- ③ X Insulator Material A=PT C=PA6T D=PA6T F=LCP
- ④ N Post N=11H0UT POSTS W=11TH POSTS
- ⑤ XX Contact Plated GF=Gold Flash G=1U" Gold SW=Tin Plated .....
- ⑥ U Mounting Type D=DIP U=DR/R/A M=SMT
- ⑦ X Packing T=Tube A=Tray P=Major+Tube
- ⑧ XX Serial NO. 01 01~99

**苏州金维益电子科技有限公司**  
**SUZHOU JINWEIYI ELECTRONICS & TECH CO.,LTD**

TOLERANCES UNLESS OTHERWISE SPECIFIED  
 .X ~~~~ ±0.30  
 .XX ~~~~ ±0.20  
 .XXX ~~~~ ±0.10  
 ANGLE ~~~~ ±5°

品名规格 PART NO.	2.54X5.0_双排母座_2XnP_DIP+R/A		
物料编码 MATERIAL NO.	58U62XXXXXXUXXXX	制图 DRAWING	Pop Zhong
图号 DWG NO.	20230808001	审核 CHECKED	2023.08.08
视图 PROJECTION		批准 APPROVED	Robert Luo
客户料号 CUSTOMER COPY		页码 SHEET	1 OF 1

A1	210303001	刷新版面	21.03.03	Pop Zhong
A0				
版本 REV NO.	变更编号 ECN NO.	描述 DESCRIPTION	变更日期 DATE	变更人 CHANGER

F	1	2	3	4	5	6
图幅 SCALE	N:1					A4