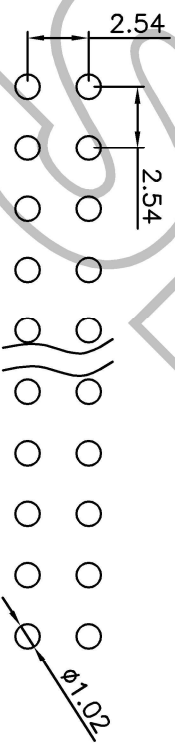
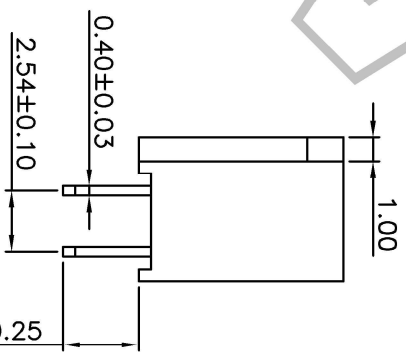
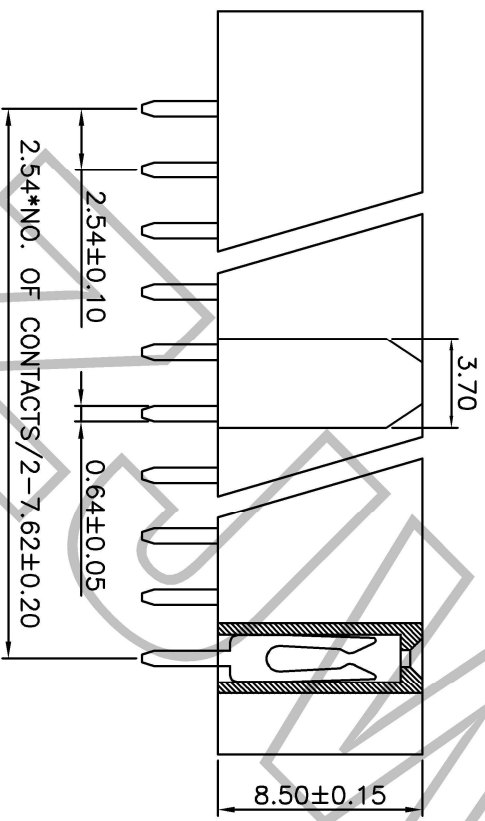
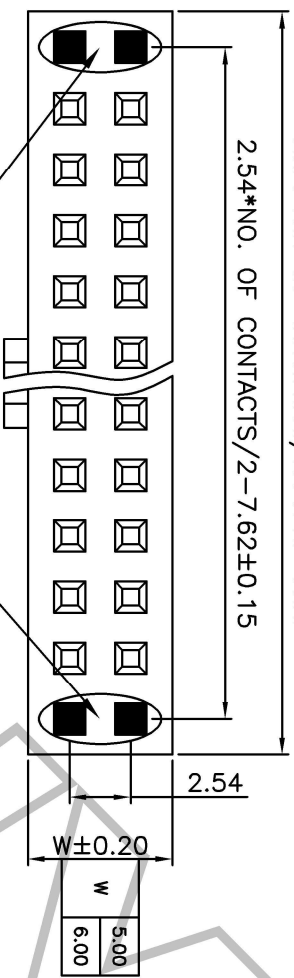


2.54*NO. OF CONTACTS/2+0.40±0.35

2.54*NO. OF CONTACTS/2-7.62±0.15



Recommended PCB Layout
Layout Tolerance ±0.05mm

1、SPECIFICATIOINS:

Current Rating : 3.0 A
 Current Voltage : 250V AC/DC
 Contact Resistance : 20mΩ Max
 Insulation Resistance : 1000MΩ Min
 Withstand Voltage : 1000V AC/minute
 Operation Temperature : -40° C ~ +105° C

2、MATERIALS:

Contact Material : Copper Alloy
 Contact Plating : G/F or Tin over Ni
 Insulator Material : PA6T BK (UL94V-0)
 Max Processing Temp : 260±5° C for 5~10 Seconds

Ordering Informations

58T12 XX X N XX D X XX

- ①
- ②
- ③
- ④
- ⑤
- ⑥
- ⑦
- ⑧

- ① 58T12 Female Header 2.54 With Bump Dual Row Series Y_Type
- ② XX NO. of Contacts Per Row 05=5FIN 05~10P
- ③ X Insulator Material A=PBT C=PA6T D=PA9T P=PC
- ④ N Post N=WITHOUT POSTS W=WITH POSTS
- ⑤ XX Contract Plated GF=Gold Flash G=1U" Gold SW=Tin Plated
- ⑥ D Mounting Type D=DIP R=Right Angle M=SMT
- ⑦ X Packing T=Tube A=Tray P=Mylar+Tube
- ⑧ XX Serial NO. 01 01'99

苏州金维益电子科技有限公司
SUZHOU JINWEIYI ELECTRONICS & TECH CO.,LTD

品名规格: 2.54双排 带凸母座_2XnP_DIP_直插_Y_TYPE
 PART NO. MATERIAL NO. 58T12XXXXXXDXXX

| | | | | | | |
|------------|-------------|----------|------------|------------|------|-----|
| 图号 | 20230808001 | 制图 | Pop Zhong | 2023.08.08 | 单位 | MM |
| DWG NO. | 20230808001 | 审核 | CHECKED | | 比例 | N:1 |
| 视图 | | 批准 | Robort Luo | 2023.08.08 | 图幅 | A4 |
| PROJECTION | | APPROVED | | | SIZE | |

| | | | | | | | |
|---------|-----------------|-------------------|--------------|----------------|---------------|-------------|--------|
| A1 | 210303001 | 刷新版面 | 21.03.03 | Pop Zhong | STANDARD | PC | 3.15 |
| A0 | | | | | | | |
| REV NO. | 变更编号 ECN NO. | 描述 DESCRIPTION | 变更日期 DATE | 变更人 CHANGER | CUSTOMER COPY | 页码 SHEET | 1 OF 1 |

| | | | | | | | |
|---|---------------------------------------|--|--|--|--|--|--|
| F | 客户料号 | | | | | | |
| E | OTHERWISE SPECIFIED | | | | | | |
| D | TOLERANCES UNLESS OTHERWISE SPECIFIED | | | | | | |
| C | ANGLE ~~~~ ±5° | | | | | | |
| B | .XXX ~~~~ ±0.10 | | | | | | |
| A | .XX ~~~~ ±0.20 | | | | | | |
| | .X ~~~~ ±0.30 | | | | | | |