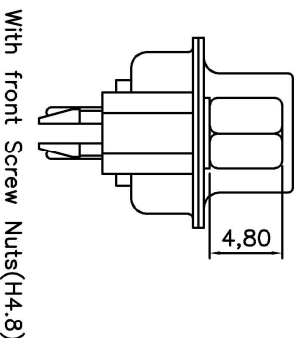


Recommended P.C.B Layout
Layout Tolerance ±0.05mm



With front Screw Nuts(H4.8)

NO. OF PINS	A	B	C	D	E	F	G	H	I	J	K	L	M
15P	30.81	25.00	16.34	2.77	2.84	7.90	12.55	5.90	0.70	10.80	19.28	16.30	10.71
26P	39.14	33.32	24.67	2.77	2.84	7.90	12.55	5.90	0.70	10.80	27.51	16.30	10.71
44P	53.04	47.04	38.38	2.77	2.84	7.90	12.55	5.90	0.70	10.80	41.28	16.30	10.71

TOLERANCES UNLESS OTHERWISE SPECIFIED

.X ~~~~ ±0.30
.XX ~~~~ ±0.20
.XXX ~~~~ ±0.10
ANGLE ~~~~ ±5°

1、SPECIFICATIONS:

Current Rating : 3.0 A
Contact Resistance : 30mΩ Max 500V DC
Insulation Resistance : 500MΩ Min
Withstand Voltage : 1000V AC/minute
Operation Temperature : -40° C ~ +105° C

2、MATERIALS:

Contact Material : Copper Alloy
Shell Material : Steel NI Plated
Contact Plating : Contact Area Gold Plated
Tail Area Tin Plated
All over NI
Insulator Material : PBT BK (UL94V-0)
Hook Material : Copper Alloy NI Plated
Wave soldering Temp : 260±5° C for 5~10 Seconds

Ordering Informations

59F03 XX A X XX D X XX

① ② ③ ④ ⑤ ⑥ ⑦ ⑧

- ① 59F03 DB Female Three Row Series
- ② XX NO. of Contacts 09=9PIN 15=15PIN 25=25PIN
- ③ A Insulator Material A=PBT
- ④ X Nuts Without Nuts H=With Front Screw Nuts(H5.8)
- ⑤ XX Contact Plated G=Gold Flash S0=Gr/TIN S1=30" Gold/TIN S2=50" Gold/TIN S3=100" Gold/TIN S4=TI Plated
- ⑥ D Mounting Type D=DIP Re-Right Angle W=Welding
- ⑦ X Packing O=PE Bag T=Tube A=Tray
- ⑧ XX Serial NO. 01~99

苏州金维益电子科技有限公司
SUZHOU JINWEIYI ELECTRONICS & TECH CO.,LTD

物料编号: 59F03XXXXXXDX
图号: 20250912003
物料名称: D SUB 母头 三排 mP DIP 直插 PBT料

物料编号	图号	物料名称	物料规格	物料名称	物料规格
59F03XXXXXXDX	20250912003	D SUB 母头 三排 mP DIP 直插 PBT料	59F03XXXXXXDX	20250912003	D SUB 母头 三排 mP DIP 直插 PBT料

NO. OF PINS	A	B	C	D	E	F	G	H	I	J	K	L	M
15P	30.81	25.00	16.34	2.77	2.84	7.90	12.55	5.90	0.70	10.80	19.28	16.30	10.71
26P	39.14	33.32	24.67	2.77	2.84	7.90	12.55	5.90	0.70	10.80	27.51	16.30	10.71
44P	53.04	47.04	38.38	2.77	2.84	7.90	12.55	5.90	0.70	10.80	41.28	16.30	10.71

REV. NO.	ECN NO.	NO.	变更日期	变更人
1	2	3	21.03.03	Pop Zhang

客户料号	页码	1 OF 1
CUSTOMER COPY	SHEET	PROTECTION

物料编号	图号	物料名称	物料规格	物料名称	物料规格
59F03XXXXXXDX	20250912003	D SUB 母头 三排 mP DIP 直插 PBT料	59F03XXXXXXDX	20250912003	D SUB 母头 三排 mP DIP 直插 PBT料

单位名称	比例	图幅
UNITS	SCALE	SIZE
MM	N:1	A4