

1、SPECIFICATIONS:

Current Rating : 2.0 A
 Voltage Rating : 250V AC
 Contact Resistance : 20mΩ Max
 Insulation Resistance : 1000MΩ Min
 Withstand Voltage : 500V AC/minute
 Operation Temperature : -40° C ~ +105° C

2、MATERIALS:

Contact Material : Copper Alloy
 Contact Plating : Gold/1in Plated over Ni
 Insulator Material : PA6T BK (UL94V-0)
 Max Processing Temp : 230° C for 30 Seconds
 260° C for 5~10 Seconds

Ordering Informations

4714 XXX C N XX R A XX
 ① ② ③ ④ ⑤ ⑥ ⑦ ⑧

- ① 4714 BOX Header- 2.0 Series (46,4MM)
- ② XXX NO. of Contacts 006=6PIN 006~080P
- ③ C Insulator Material C=PA6T D=PA6T F=ALP
- ④ N Posts #=Flth Posts N=Flthout Posts
- ⑤ XX Contact Plated G=Gold Flash G0=0.8U" Gold G1=1U" Gold G5=10U" Gold S=TiN Plated
- ⑥ R Mounting Type D=DIP R=Right Angle M=SMT Z=Recomment
- ⑦ A Packing O=PE Bag T=tube A=Tray P=Wyar-Tube Re=Reel-CAP M=Var-Reel
- ⑧ XX Serial NO. 01 01~99

苏州金维益电子科技有限公司
SUZHOU JINWEIYI ELECTRONICS & TECH CO.,LTD

物料规格 PART NO.	物料编号 MATERIAL NO.	4714XXXCNXXRAXX	制图 DRAWING	Pop Zhong	2025.03.13	单位 UNITS	MM
品名规格 PART NO.	图号 DWG NO.	20250313003	审核 CHECKED	Robert Luo	2025.03.13	比例 SCALE	N:1
	视图 PROJECTION		批准 APPROVED			图幅 SIZE	A4

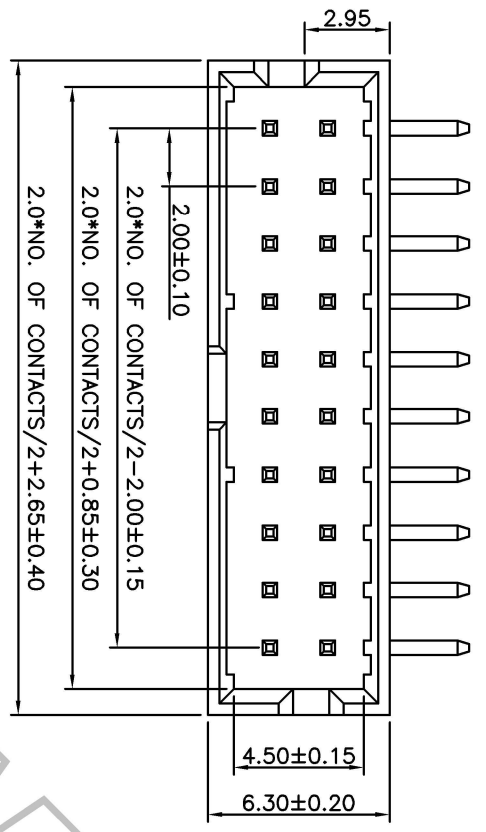
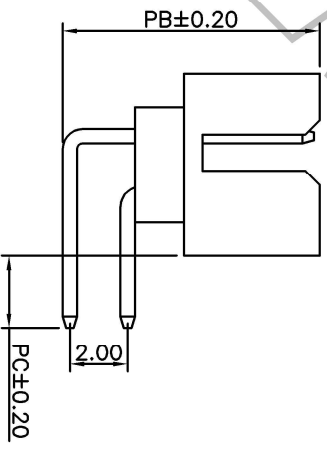
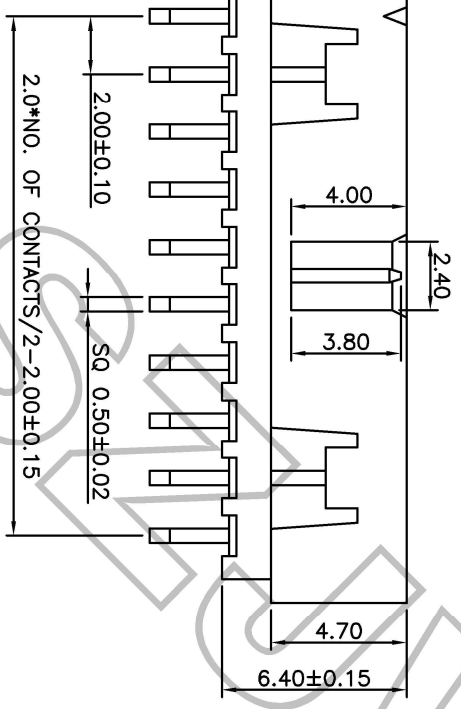
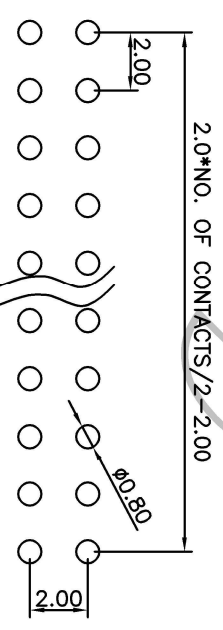
2.0 0X筒牛 0P 弯针

TOLERANCES UNLESS OTHERWISE SPECIFIED

X ~~~~ ±0.30
 .XX ~~~~ ±0.20
 .XXX ~~~~ ±0.10
 ANGLE ~~~~ ±5°

STANDARD	Pop Zhong
PB 8.90	
PC 2.50	

Recommended PCB Layout
 Layout Tolerance ±0.05mm



A1	210303001	优化版面	21.03.03	Pop Zhong
A0				
版本 REV NO.	变更编号 ECN NO.	描述 DESCRIPTION	变更日期 DATE	变更人 CHANGER

客户料号 CUSTOMER CTRY	订货 SHEET	1 OF 1
-----------------------	-------------	--------

物料编号 MATERIAL NO.	4714XXXCNXXRAXX	制图 DRAWING	Pop Zhong	2025.03.13	单位 UNITS	MM
图号 DWG NO.	20250313003	审核 CHECKED	Robert Luo	2025.03.13	比例 SCALE	N:1
视图 PROJECTION		批准 APPROVED			图幅 SIZE	A4